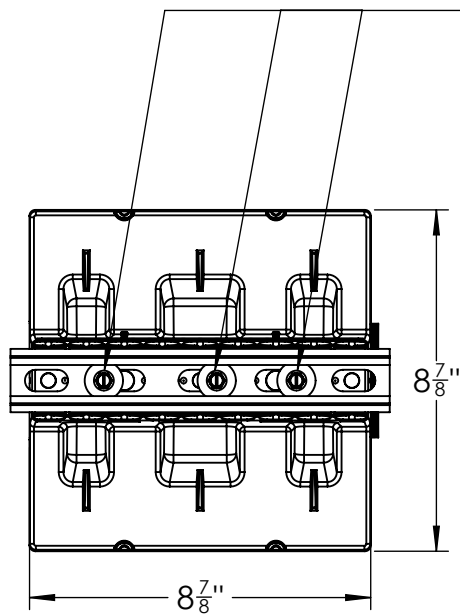


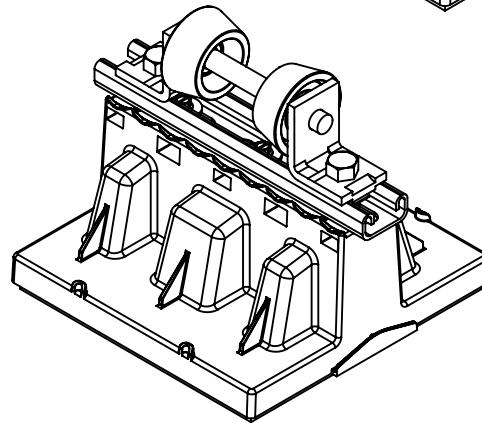
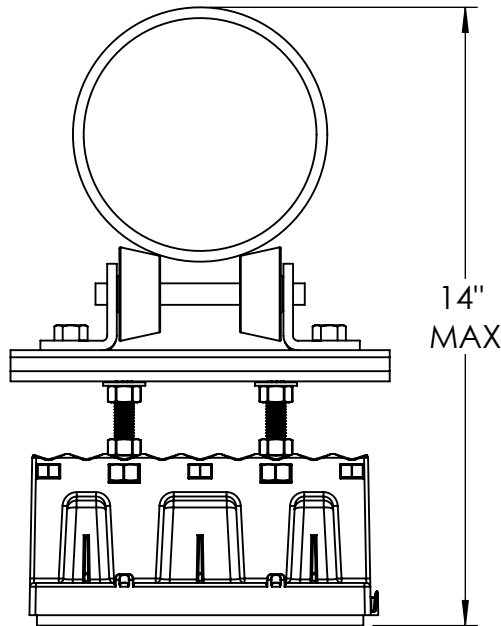
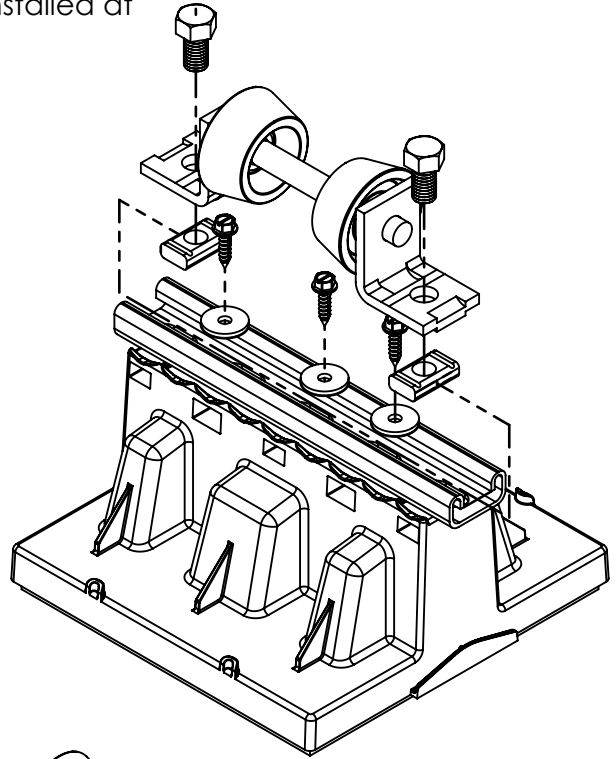
ROL-06 Roller Installation Guide

Aluminum Roller for 4"-6" Pipe



Proper installation of strut requires 3 #14 X 1" hex screws with 1/4" washers (hardware included with ROL-06).

Screws must be installed at positions shown.



NOTES:

- Use 3 X #14 X 1" sheet metal screws with washers (provided) to mount strut directly on Blox, at 3 inside slots of strut (as shown).
- Do not overtighten or strip out # 14 screws
- Be sure to properly tighten 1/2" Hex Bolts on roller brackets
- Use 15 ft./lbs max torque on jamb nuts on Blox top surface; use Loctite on threads
- Maximum height on single Blox is 14" overall
- ROL-06 is not to be used with XTB-02 applications.
- Install ROL-06 to center line of Blox



Roof Top[®]
BLOX

Adjustable Piping Support

US PAT. 7,731,131 CAN. PAT. 2,675,158

Blox with 4"-6" Pipe Roller Assy.

Max Load Per Blox:
Single Point: 250 lb/113 kg
Dual Point or Strut-Mounted Load: 350 lb/158 kg

P: (860) 979-0345
F: (860) 871-9218

www.rooftopblox.com
info@rooftopblox.com