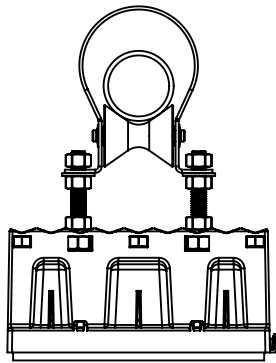
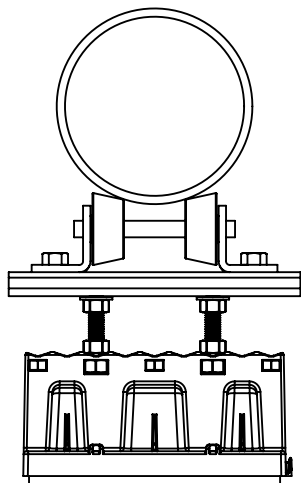


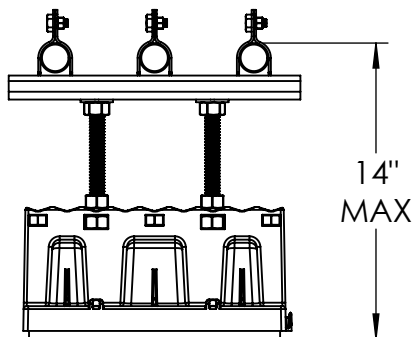
ROD-03 Threaded Rod Instruction Guide



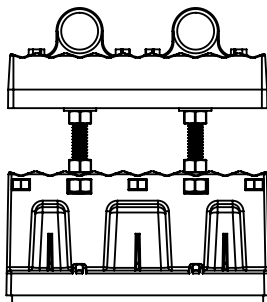
With ROL-05



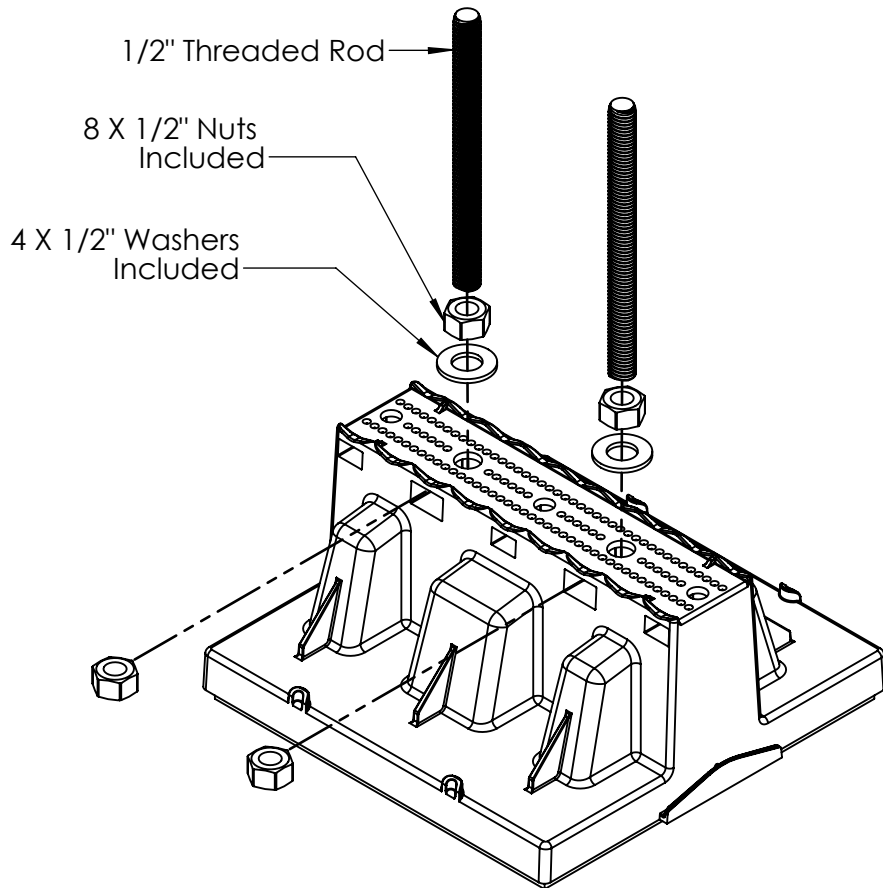
With ROL-06



With STR-04



With XTB-02



1/2" Threaded Rod

8 X 1/2" Nuts
Included

4 X 1/2" Washers
Included

Max Load with XTB-02
Mounted Directly on Blox or
Elevated on Threaded Rod:
100 lb / 45 kg

NOTES:

- Do not overtorque jamb nuts on Blox top surface. Use 15 ft-lb max torque and Loctite on Blox jamb nuts
- Maximum height on single Blox is 14" overall
- Install rods a minimum of 1" and a maximum of 3" into Blox



Roof Top[®]
BLOX

Adjustable Piping Support

US PAT. 7,731,131 CAN. PAT. 2,675,158

Blox with ROD-03 Threaded Rod

Max Load Per Blox:
Single Point: 250 lb/113 kg
Dual Point or Strut-Mounted Load: 350 lb/158 kg

P: (860) 979-0345 www.rooftopblox.com
F: (860) 871-9218 info@rooftopblox.com