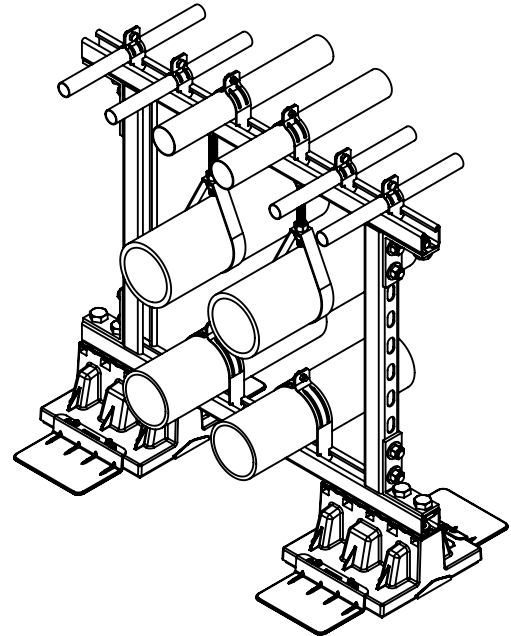
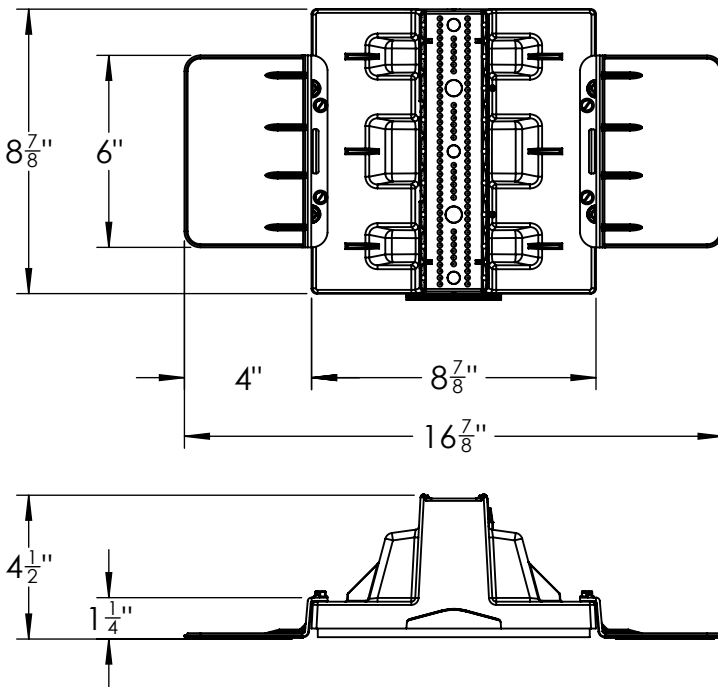
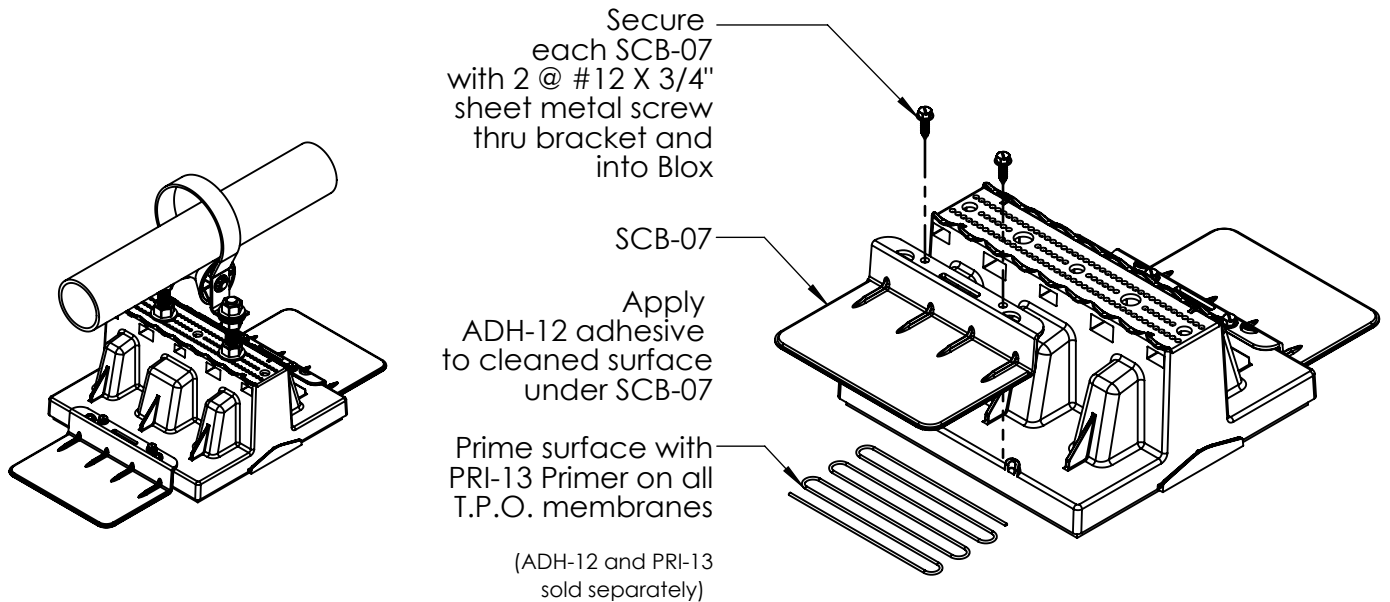


SCB-07 Securing Bracket Instruction Guide

Polycarbonate Securing Brackets with ADH-12 Adhesive



NOTES:

- Before installing check with roofing manufacturer for adhesive compatibility
- Remove all gravel under Blox installation location
- Remove all oil, dirt, and water under SCB-07 for proper adhesive bonding
- Use Primer for T.P.O. roof membranes
- Use ADH-12 Adhesive to bond SCB-07 in place
- Maximum height on single Blox is 14" overall

Model RTB-01
U.P.C.
c

Roof Top®
BLOX

Adjustable Piping Support

US PAT. 7,731,131 CAN. PAT. 2,675,158

Blox with SCB-07 Securing Bracket

Max Load Per Blox:
Single Point: 250 lb/113 kg
Dual Point or Strut-Mounted Load: 350 lb/158 kg

P: (860) 979-0345
F: (860) 871-9218

www.rooftopblox.com
info@rooftopblox.com