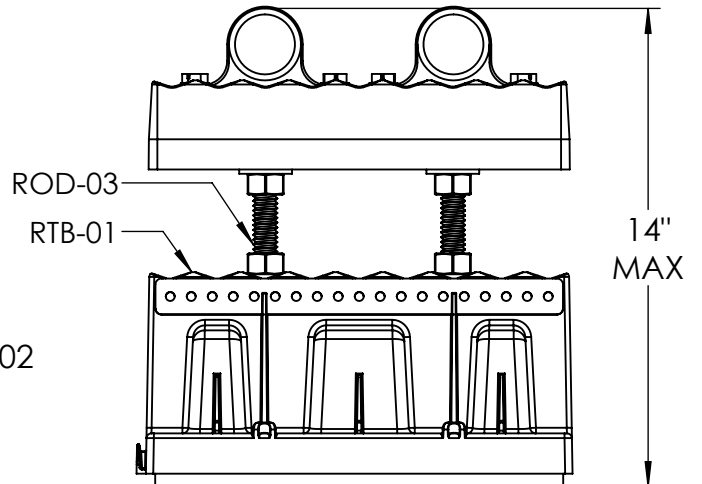
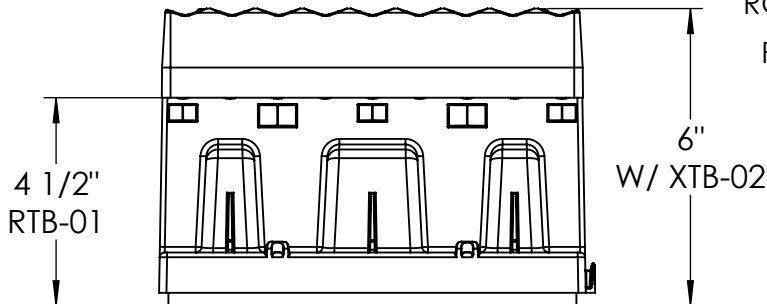
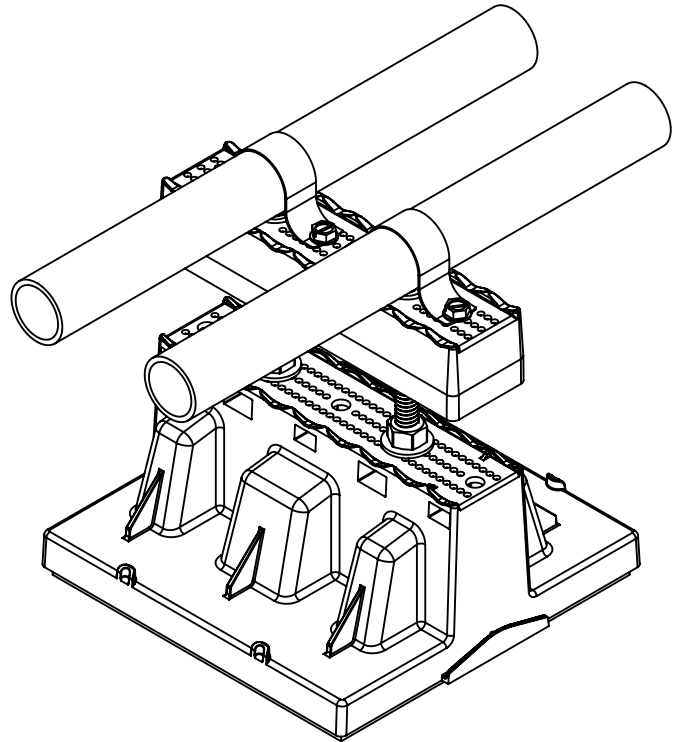
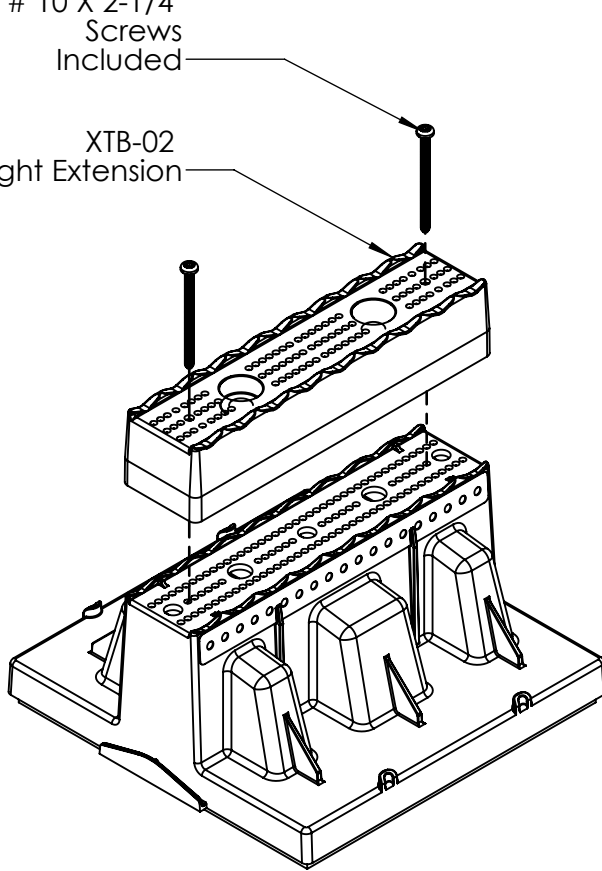


XTB-02 Height Extension Instruction Guide

1-1/2" Polypropylene Height Extender

2 X # 10 X 2-1/4"
Screws
Included

XTB-02
Height Extension



NOTES:

- Maximum weight on Blox mounted XTB-02 is 100 lbs/45 kg
- Maximum weight on elevated XTB-02 is 100 lbs./45 kg
- Maximum height on single Blox is 14" overall
- Install threaded rods a minimum of 1" and a maximum of 3" into Blox
- XTB-02 is not to be installed under any ROL-05 or ROL-06 roller applications.

Model RTB-01
U.P.C.
c

Roof Top®
BLOX

Adjustable Piping Support

US PAT. 7,731,131 CAN. PAT. 2,675,158

Blox with Height Extension

Max Load Per Blox:

XTB-02 Elevated on Rods : 100 lb/45 kg

XTB-02 Mounted on BLOX : 100 lb/45 kg

P: (860) 979-0345

www.rooftopblox.com

F: (860) 871-9218

info@rooftopblox.com