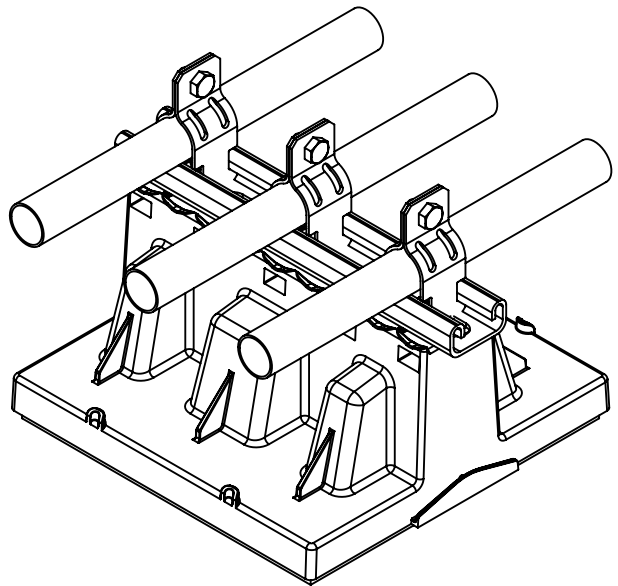
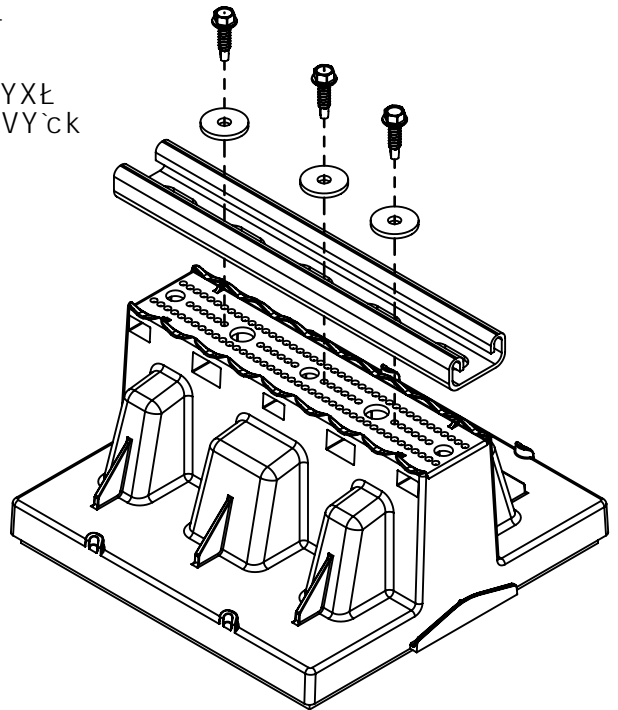
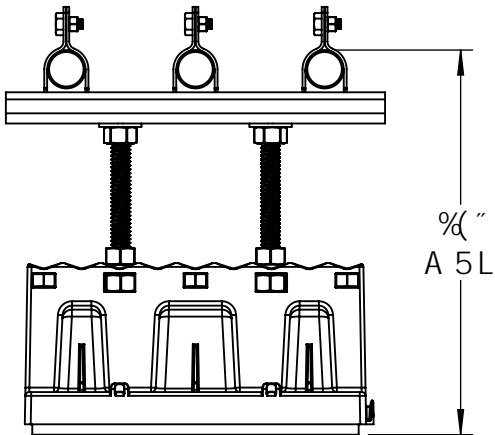
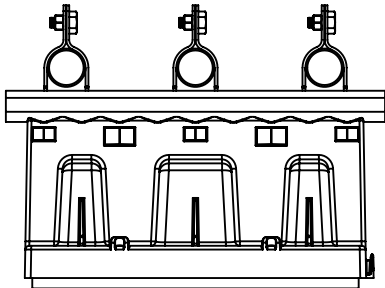
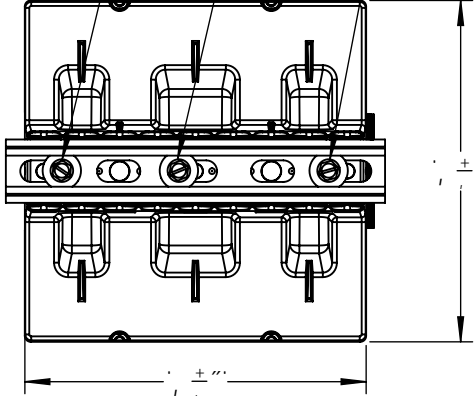


GF!\$('Gfi h`bghU`Uh]cb ; i]XY

DfcdYf]bghU`Uh]cb`cZgfi h
 fYei]fYg' gY ZHudd]b[
 %\`YI`gWYk gk]h`
 %#("k Ug\Yfg
 f\UfXk UfY`bch]bWi XYXŁ
 Uh' `dc]bhj]bX]MUhYX`VY`ck



BC H9G

i I gY" L' %\`g\YYha YHU`gWYk gk]h` k Ug\Yfg]c`a ci bhGF!\$(
 X]fYWhimcb`6`cl
 i 8c`bchcj Yfh] \`hYb`cfgh]d`ci h' %\`gWYk g
 i I gY`%`Zi#Vga UI`tcfei Y`cb`Ua V`bi`hgcb`6`cl`hd`g`fZUW`/
 i i gY`@W]hY`cb`h`fYUXg
 i A UI]a i a` \Y][\`hcb`g]b[Y`6`cl]g%`"cj YfU`



Adjustable Piping Support

US PAT. 7,731,131 CAN. PAT. 2,675,158

6`cl`k`]h`GF!\$(`'Gfi h

A UI`@UX`DYf6`cl.

G]b[Y`Dc]h`&`\$`V`#`%`_]

8i U`Dc]bhcfGfi HA ci bhYX`@UX.`" \$`V`#`%`_]

D. f] *\$E`-+!\$` () k k k`"fcc`ZcdV`cl`"Wca

:. f] *\$E`+%-&%]bZ`4`fcc`ZcdV`cl`"Wca