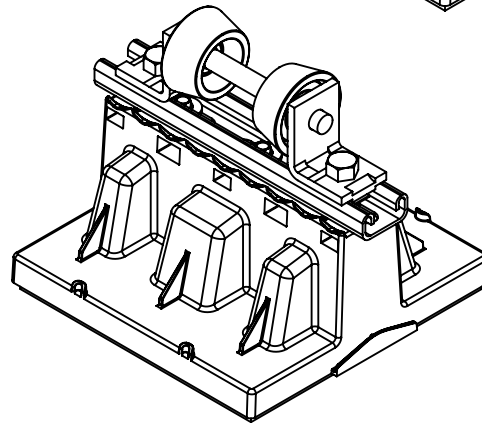
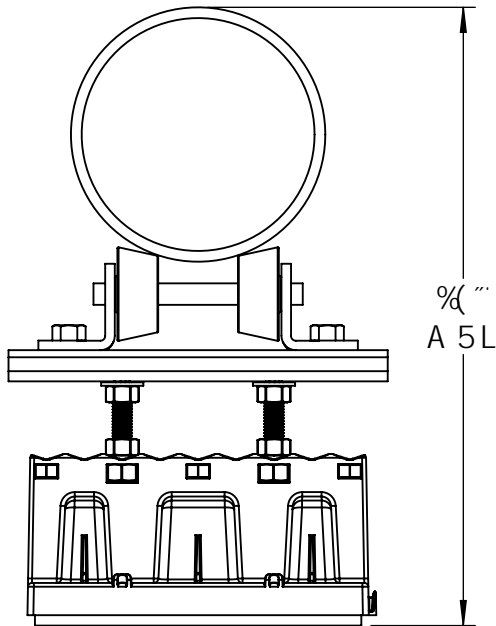
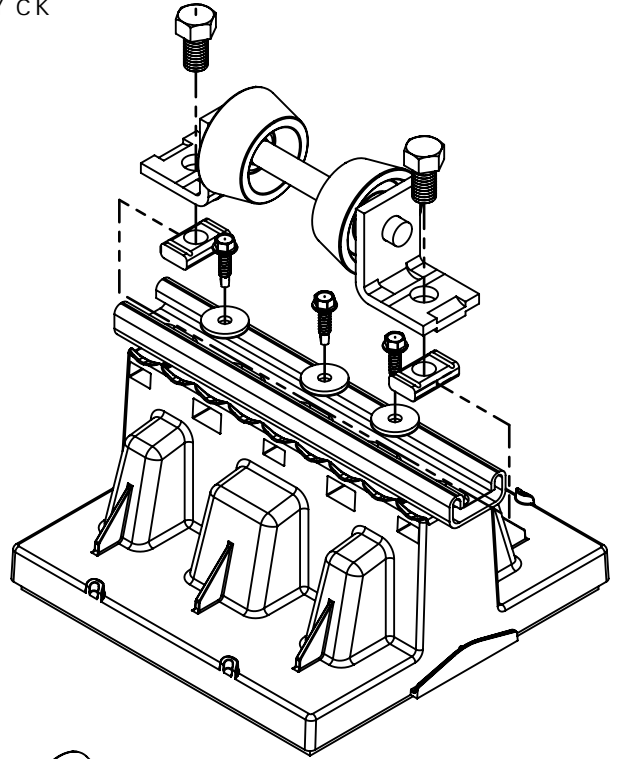
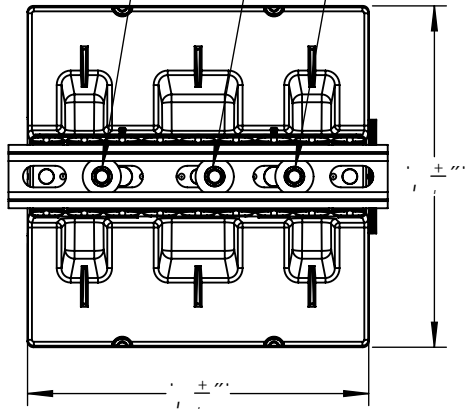


FC @\$* 'Fc ``Yf`bgU`Uhc b` ; i]XY

5 i a]bi a 'Fc ``Yf`Zcf`(!* ``D]dY

DfcdYf`]bgU`Uhc b`cZgfi h
 fYei]fYg` gY`ZhUdd]b[`
 %(`\YI`gWfYk gk]h`
 %#(`k Ug\Yfg`
 f\UfXk UfY`]bWi`XYX`k]h`GF!\$(
 Uh` `dc]bhg]bX]WUfX`VY`ck



BC H9G

i 8c`bchcj`Yfh[`\h`b`cf`g]d`ci`h` %(`gWfYk`g
 i 6Y`g`fY`hc`d`fcd`Yf`mh[`\h`b`%#&`<YI`6c`hg`cb`fc`Yf`VfUW`Yhg
 i l`gY`%`Zi`#Vga`Ul`hc`fei`Y`cb`Ua`V`bi`hg`cb`6`cl`hc`d`g`fZUW`/`
 i gY`@`Wh]h`cb`h`fYUXg`
 i A`Ul`ja`i`a` \Y][`\h`cb`g]b[`Y`6`cl`]g`%(`c]`YfU`
 i FC`@\$*`]gb`ch`c`VY`i`gY`X`k`]h`LHb!`\$&`Udd`]WU]h`c`bg`



Roof Top®
BLOX

Adjustable Piping Support

US PAT. 7,731,131 CAN. PAT. 2,675,158

6`cl`k`]h`(!* ``D]dY`Fc`Yf`5`ggm`

A`Ul`@`UX`DYf`6`cl`.

G]b[`Y`Dc]h`&`\$`V`#`%`_`]

8i`U`Dc]h`c`f`Gfi`HA`ci`bh`X`@`UX`.)`\$`V`#`%`_`]

D.`f]`*`\$E`-`+`!`\$`(`) k`k`k`"f`cc`Z`c`d`V`cl`"W`ca`
 :`f]`*`\$E`,`+`%`-`&%]b`Z`4`f`cc`Z`c`d`V`cl`"W`ca`