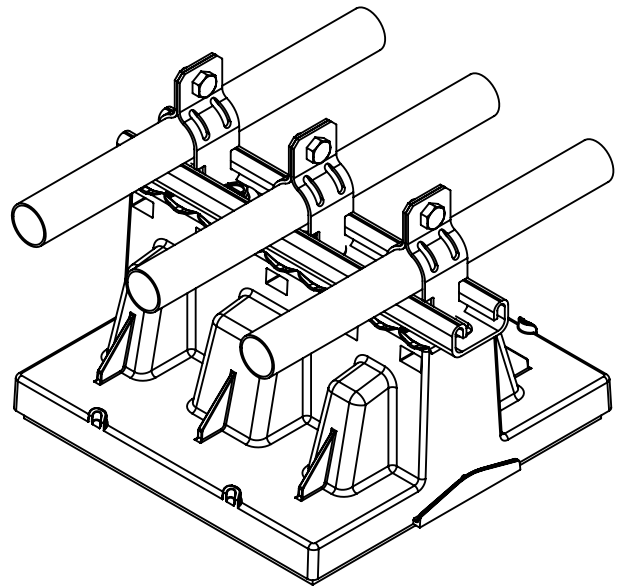
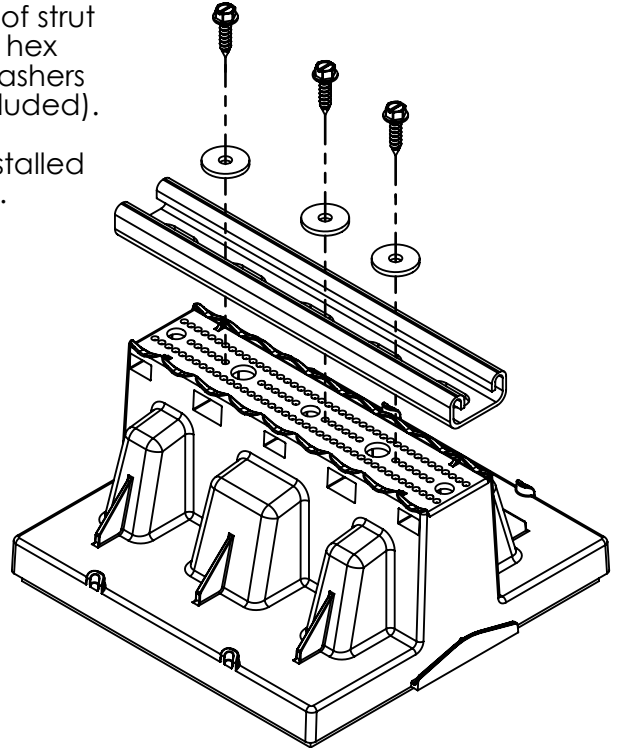
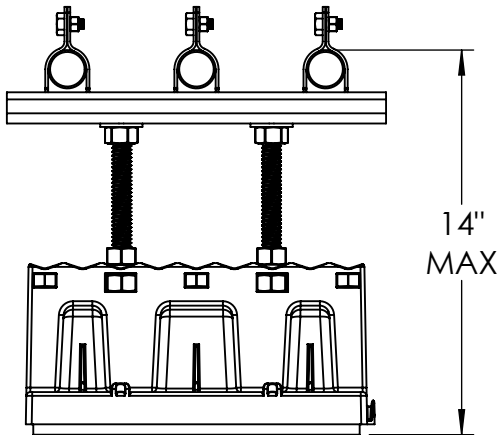
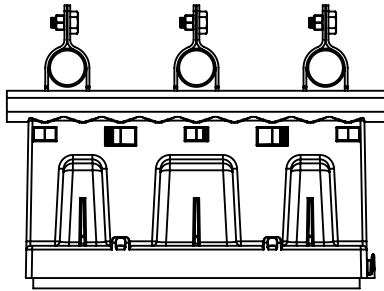
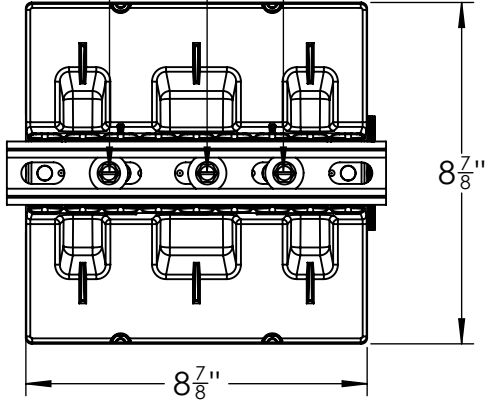


STR-04 Strut Installation Guide

Proper installation of strut requires 3 #14 X 1" hex screws with 1/4" washers (hardware not included).

Screws must be installed at positions shown.



NOTES:

- Use 3 X #14 X 1" sheet metal screws with washers to mount STR-04 directly on Blox, at 3 inside slots of strut (as shown).
- Do not overtighten or strip out # 14 screws
- Use 15 ft./lbs max torque on jamb nuts on Blox top surface; use Loctite on threads
- Maximum height on single Blox is 14" overall

Model RTB-01
U.P.C.
c

Roof Top®
BLOX

Adjustable Piping Support

US PAT. 7,731,131 CAN. PAT. 2,675,158

Blox with STR-04 Strut

Max Load Per Blox:
Single Point: 250 lb/113 kg
Dual Point or Strut-Mounted Load: 350 lb/158 kg

P: (860) 979-0345 www.rooftopblox.com
F: (860) 871-9218 info@rooftopblox.com