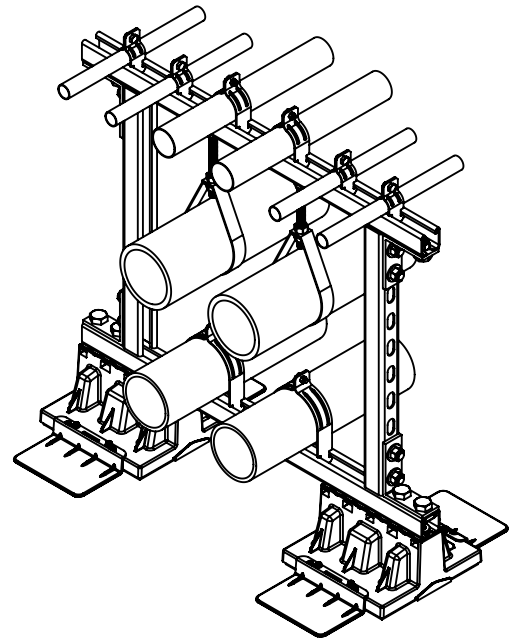
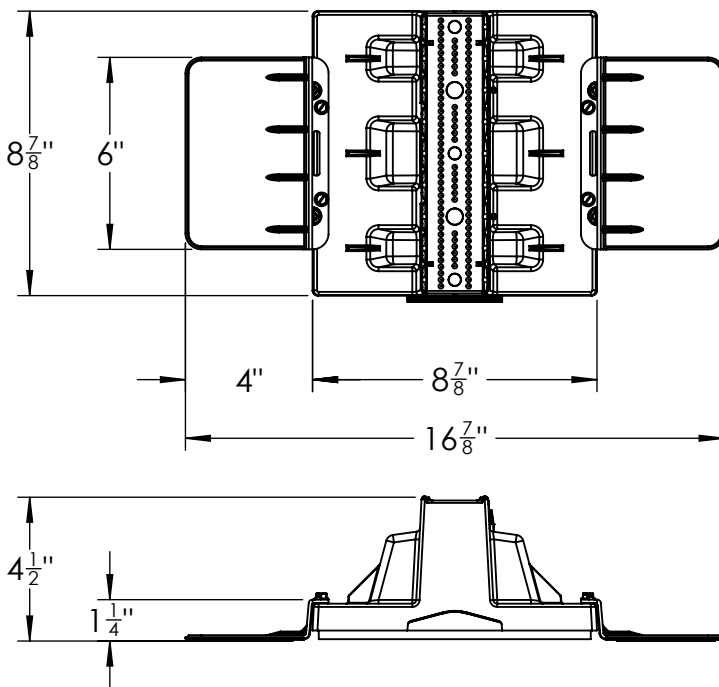
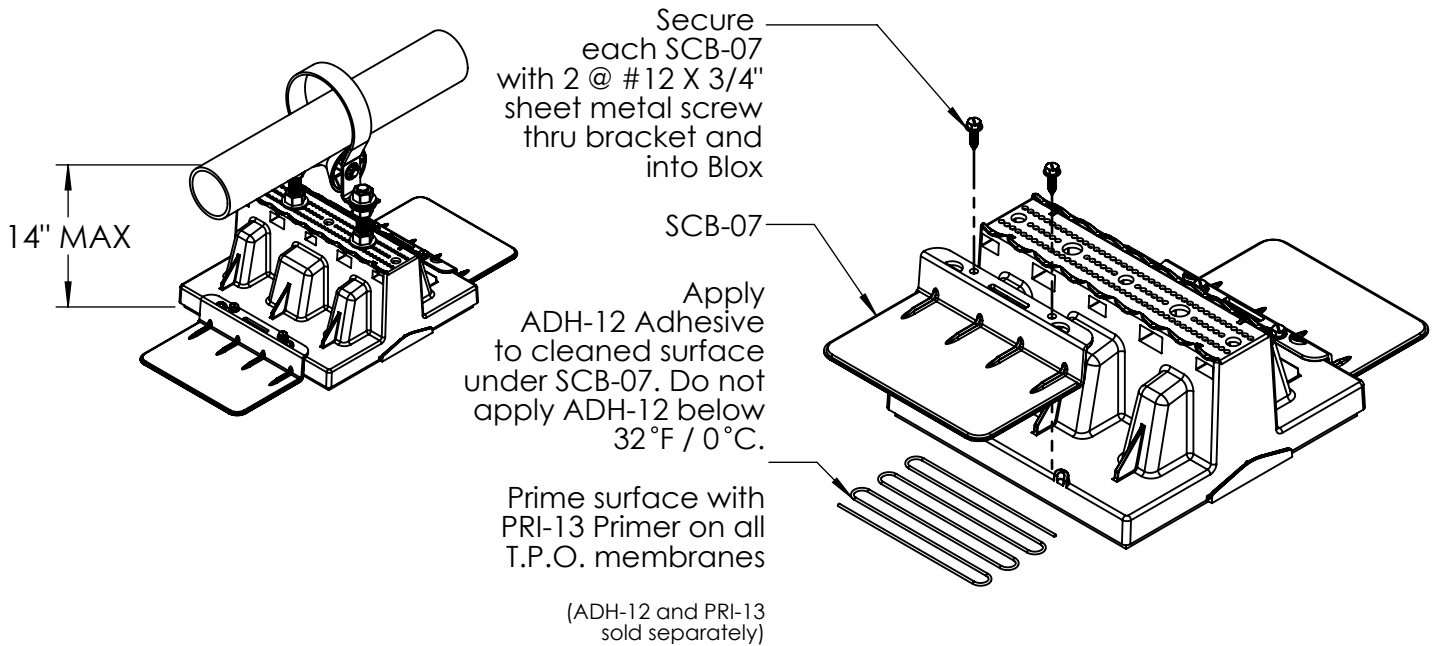


# SCB-07 Securing Bracket Instruction Guide

## Polycarbonate Securing Brackets with ADH-12 Adhesive



### NOTES:

- Before installing, check with roofing manufacturer for adhesive compatibility
- Remove all gravel under Blox installation location
- Remove all oil, dirt, and water under SCB-07 for proper adhesive bonding
- Use Primer for T.P.O. roof membranes
- Use ADH-12 Adhesive to bond SCB-07 in place
- Maximum height on single Blox is 14" overall
- Be sure that dynamic loads do not exceed 175 lb per Blox
- SCB-07 Securing Brackets are highly recommended for all roof top applications

Model RTB-01  
U.P.C.  
c

**Roof Top®**  
**BLOX**

Adjustable Piping Support

US PAT. 7,731,131 CAN. PAT. 2,675,158

Blox with SCB-07 Securing Bracket

Max Load Per Blox:  
Single Point: 250lb/113 kg  
Dual Point or Strut-Mounted Load: 350 lb/158 kg

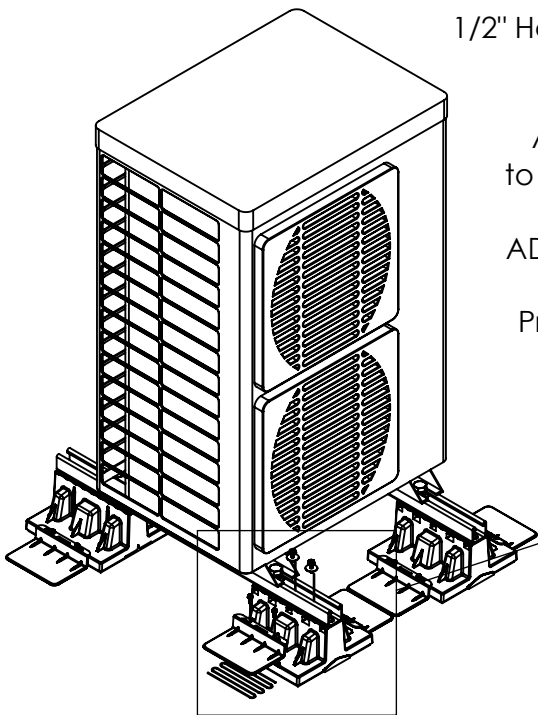
P: (860) 979-0345  
F: (860) 871-9218

www.rooftopblox.com  
info@rooftopblox.com

# SCB-07 Securing Bracket Instruction Guide

## Polycarbonate Securing Brackets with ADH-12 Adhesive

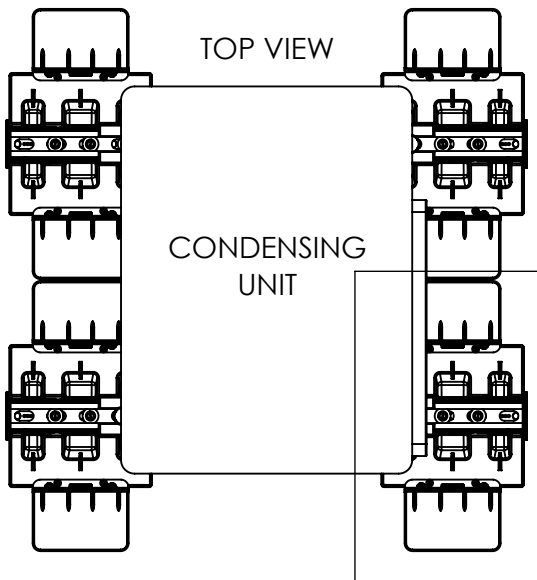
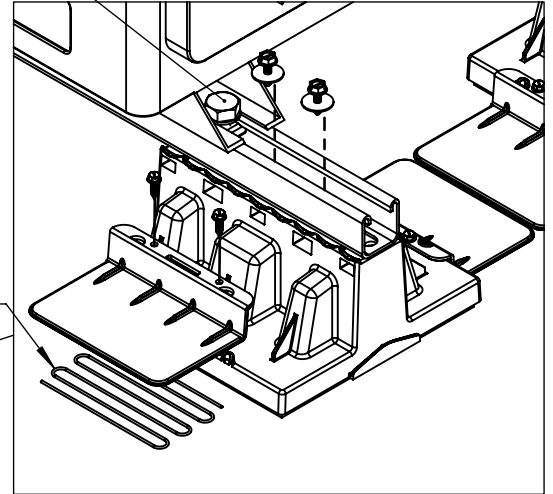
### Installation of Condensing Unit



1/2" Hardware to Strut to secure Appliance by Contractor

Apply ADH-12 Adhesive to cleaned surface under SCB-07. Do not apply ADH-12 below 32°F / 0°C.

Prime surface with PRI-13 Primer on all T.P.O. membranes

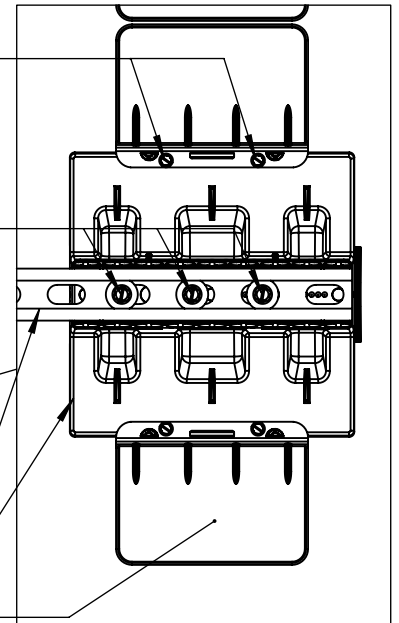


TOP VIEW

CONDENSING UNIT

2 X # 12 X 3/4" Sheet Metal Screw Thru Each SCB-07 and into Blox

3 X # 14 X 1" Screw and Washer Thru Strut into Each Blox by Contractor



Strut by Contractor

RTB-01

SCB-07

Install 2 per each Blox Recommended

#### NOTES:

- Before installing, check with roofing manufacturer for adhesive compatibility
- Remove all gravel under Blox installation location
- Remove all oil, dirt, and water under SCB-07 for proper adhesive bonding
- Use Primer for T.P.O. roof membranes
- Use ADH-12 Adhesive to bond SCB-07 in place
- Maximum height on single Blox is 14" overall
- Be sure that dynamic loads do not exceed 175 lb per Blox
- SCB-07 Securing Brackets are highly recommended for all roof top applications

Model RTB-01  
U.P.C.  
c

**Roof Top®**  
**BLOX**

Adjustable Piping Support

US PAT. 7,731,131 CAN. PAT. 2,675,158

Blox with SCB-07 Securing Bracket

Max Load Per Blox:  
Dual Point or Strut-Mounted Load: 350 lb/158 kg  
Max Dynamic Load: 175 lb/80 kg Per Blox

P: (860) 979-0345  
F: (860) 871-9218

www.rooftopblox.com  
info@rooftopblox.com