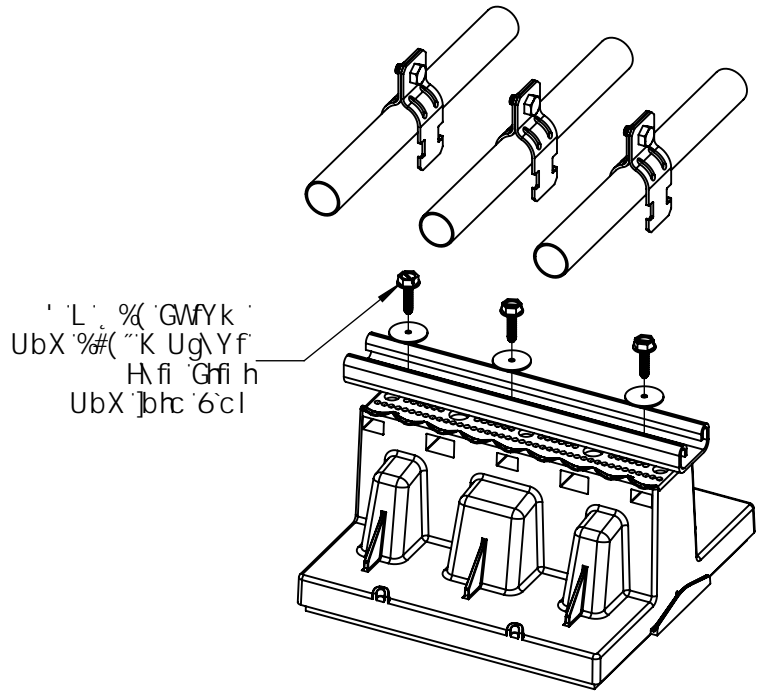
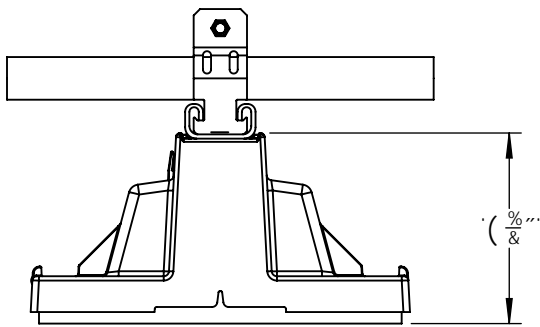
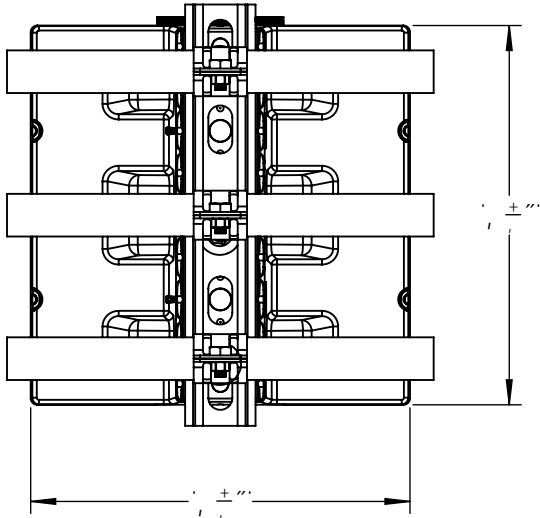


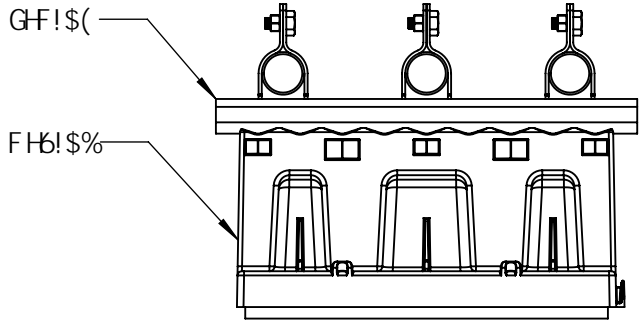
\$(%

FccZhd '6cl 'k jh '5hUWYX 'Gfi h

6@@C : A 5H9F 5@G			
7 C A DC B 9BH	D5FHBI A 69F	E HM	>C 6'E HM
FccZhd '6cl	FH!\$%	%	
%) #, "'L '% #%' "GcHYX 'Gfi h	GF!\$(%	
%'L '%G'YYhA YHJ'GWYk	6m7 cbfUWfc f	.	
%("' : 'UhK UgYfg	6m7 cbfUWfc f	.	
Gfi h7 'Ua dg	6m7 cbfUWfc f	5gFYe fX	



'L' %'GWYk ' UbX' %#("'K UgYf H fi 'Gfi h UbX 'jhc '6cl



<c.V.
 8UH. FYJ.
 9b['pYYf.
 FYd #9 jfVi tcf.
 %'FYa cj Y U ""ccg' [fUj Y' i bXYFFccZhd '6cl VUg' &'GdUW' '6cl Yj Yfm+fU'cb['djd' b['gghYa "'bgfU""djd' b['gghYa "'ck 'cb '6cl ZcFYghgUUV]]m ("A Uj ia ia %' c'j YfU ""djd' b[\Y] [\hcb gb['Y '6cl)"I g' f' Yfgcb 'cb['djd' Y fi bgZc fH Yfa U' Y i dUbgcb "'A Uj ia ia 'h'a dYfU h fY fU h['jg&\$\$: #'7 +I g' GF!\$('gfi hZc fdc'jhc'U'Xgcj Yf&) \$Vg'%% _ "I g' %' ZhV 'a Uj 'h'fei Y UbX @W hY 'cb '6cl 'Ua V bi hg -"I g' G7 6l \$+ 6fUW Yfgtc g'W fY '6cl 'b ZbU' d'cgh'cb %\$' 7 \Y W 'a Ya V fU bY A Z "'UbX U X \Y g'j Y Wca dU hV]]m %\$' 7 \Y W 'cWU' Wc X Y g'UbX fY [i U h'cbgd f'c f'c 'jgfu' U h'cb

GdYVWUjhc b.
 FccZhd 'g ddcfhV'cWgZcf[Ug d] j b['z di a V] b[z <J 57 z VcbX i jz VU V Y 'fUnz UbX a Y W U b W U' Yei 'da Ybhg U ""VY FccZhd '6cl fFH!\$% 'H Y 'g ddcfh 6@C L 'a i ghVY 'XYg[bYX 'tc Y 'a 'jOUH' fccZdYbYfUhc'bgZ ZUg' b[gcfXUa U [Y 'tc fccZb['a Ya V fU bY" G ddcfh VcXmg U ""VY a UXY 'cZFY W W Y X I J i fY g' U bh Dc 'nd fcd mY bY 7 cdc na Yp' 6Ug' d'UhZc'fa 'a UH'fU' g'U ""VY %'h jWz&) dgZhdY (' WcgrX W ""gfi W h fu' zcUa 'tc Xjg'fV i H' UbX Y' Yb mW g'jcb 'cUXg' G ddcfh'cd g' fU W g'U ""Uj Y a c'XYX 'b djd' b[c'f U b] j b['gUXX Yg UbX gfi ha ci bh b['WUX Y ""H Y 'tcd g' fU W g'U ""Ug' \Uj Y GWYk [i X Y 'j X Y bhg UbX Y b['j bY Y fX 'j h' fU g' W Y k 'h fY U X [fjd] b['ZU h fY ""6@C L 'a i ghU W W dh' #, ""UbX %&' h fY U X Y X 'fcXg fC 8!\$' E i gb['gX Y i Y b f m bi h g'c h g'c U 'c k' Z u g' h c d g' X Y U g' g' Y a V m UbX 'djd' b[\Y] [\h U X f' ga Y bhg' 5 i a 'j i a ' f'c Y fg fC @ \$) c f F C @ \$ * E g' U ""VY 'j b g' U X 'cb 'cb['djd' b['fi bg' G Y W f b['V fU W Y fg fG7 6l \$+ E UbX U X \Y g'j Y fB 8 < ! % & fY Wca a Y b X Y X Zc f dYfa UbY bhmg' W f b['6@C L 'jhc 'jg Z bU' jgfu' Y X' d'cgh'cb z UbW c f b['U [U] jg h k 'j X Z f u] b UbX 'g'c k 'cUXg'

Roof Top®
BLOX
 Adjustable Piping Support
 US PAT. 7,731,131 CAN. PAT. 2,675,158
 FH!\$%k #GF!\$('5hUWYX
 A Uj @UX DYf'6cl.
 Gb['Y Dc'j h' &) \$'V'##% _ []
 8i U'Dc'j h'c f'Gfi HA ci bhYX @UX.') \$'V'##% _ []
 D. f] * \$E' - + ! \$' () k k k 'fccZhdV'cl 'Wca
 .: f] * \$E, + % - & % j bZc fccZhdV'cl 'Wca