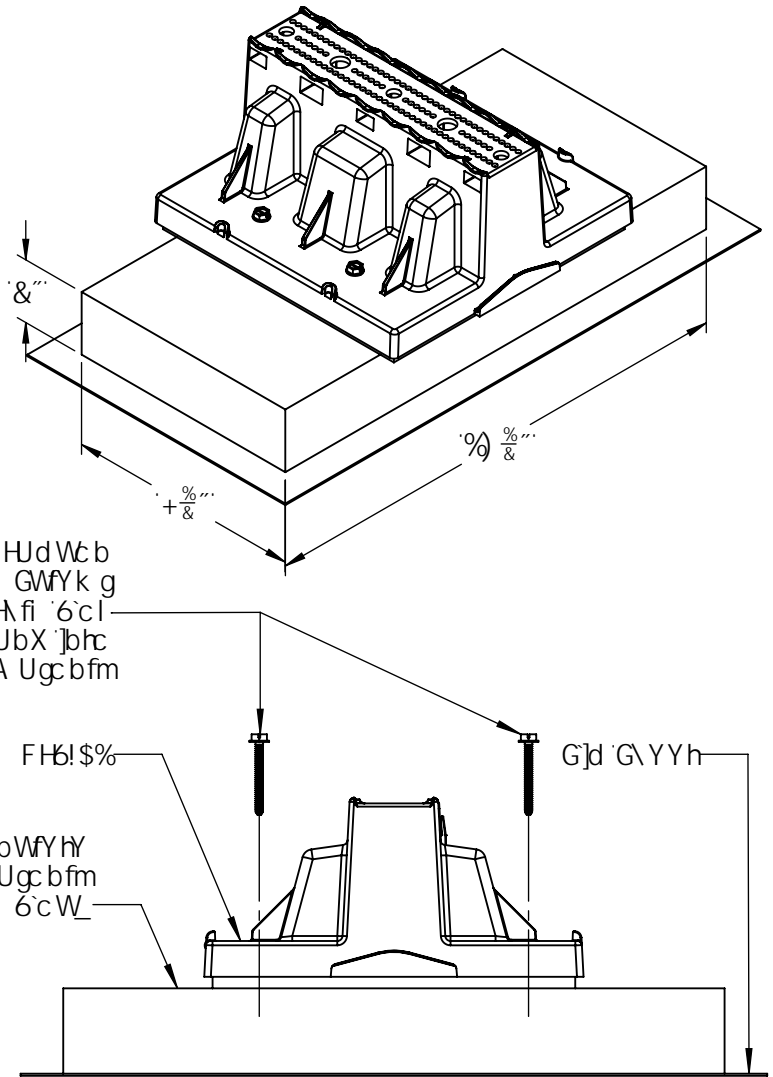
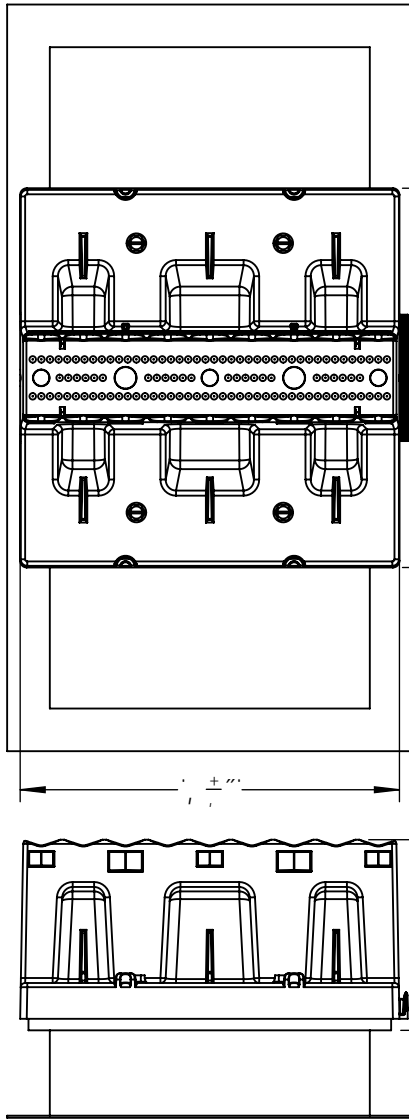


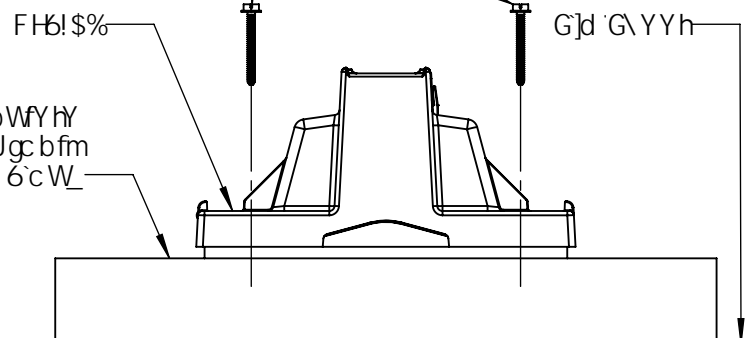
\$%)

FccZHtd '6'cl 'k]h '7 cbWfYH' '5bW\cf'K Y][\h

6@@C : 'A 5H9F 5@G			
7 C A DC B 9BH	D5FHBI A 69F	E HM	>C 6'E HM
FccZHtd '6'cl	FH!.\$%	%	
%#('L'%'#(' '@b['HJdWc'b'GWfYk	6m7'cbfUWfc f	(
7'cbWfYH' 'A Ugc'bfm'6'cW_	6m7'cbfUWfc f	%	
G'd'G'VYh	6m7'cbfUWfc f	%	



HJdWc'b
GWfYk g
H'fi '6'cl
UbX]bhc
A Ugc'bfm



c.V.
8UH.
9b] bYYF
FYd #9 jf]Vi tcf.
%FYa c] Y U'ccg' [fuj Y i bXYFccZHtd '6'cl VUg'
&"GdUW' 6'cl Y] Yfm+fU'cb['d]d]b[g'ghYa
"bgU' d]d]b[g'ghYa 'ck'cb'6'cl ZcfVYg'gUUV]]m
("A U]a ia a "% c] YfU' d]d]b[\Y]]hcb'gb['Y'6'cl
"I g' f'c'Yfgcb'cb['d]d]Y fi bgZ'fh'Yfa U'Yi dUbg'cb
"A U]a ia ia 'h'a dYfU' h'Y fU]b['jg&\$\$: #'7
+I g' GF!\$(g'fi hZ'f'cd'joh'c'UXgc] Yf&)\$Vg'%% _]
"I g' %9 ZH'V a UI 'h'fei Y UbX '@W]h'Y'cb'6'cl 'Ua V bi hg
-"I g' G' 6' \$+6'fUW'Yfg'g'W' f'Y'6'cl 'b ZbU' d'cg'h'cb
%\$'7 \YW' a Ya V fU' b'Y' A Z "UbX UX \Y g] Y Wca d'U]h'V]]m
%\$'7 \YW' c'WU' Wc'XYg'UbX f'Y [i U]h'cbgd'f'c'f'c'
]b'gU' U]h'cb

Gd'VW]W]h'cb.
FccZhd'g' ddcfh'V'c'W'g'Z'f[Ugd]d]b['zd'ia V]b[z
<J 57 z'W'cb'X i]z'VUV'Y'f'Unz'UbX a YW]Ub'WU'
Yei]da Ybh'g'U' VY FccZhd'6'cl f'FH!.\$%' H'Y'g' ddcfh
6@C L'a i gh'VY'XYg] b'YX' h'c'Y'ja]b'U]h' f'cc'Zd'Yb'Yf'U]h'cb'g'
ZUg]b[g'cf'XUa U]Y' h'c' f'cc'Zb['a Ya V fU' b'Y" G' ddcfh
Vc'X'm'g'U' VY' a UX'Y'c'Z'f'W'W'Y'X' I]i f'Y'g]U]h'
Dc'nd'f'cd'm'Y'b'Y'7'c'd'c'na Y'P'6'Ug' d'U]h'z'fa' a U]h'f]U' g'U'
VY' %'h']W'z&)d'g]h'm'd'Y' ('W'c'g'X' W' g'ri W]h' fU' z'c'Ua' h'
X]g]f'V]i h'Y' UbX' Y] Y'b'm'W' g']c'b' c'UX'g' G' ddcfh'c'd
g' f'ZU'W' g'U' \U]Y' a c'XYX']b' d]d]Y' c'f] U]b]b[]g'UX'Y'g'
UbX' g'ri ha ci bh'b['WUX'Y' H'Y' h'cd'g' f'ZU'W' g'U' U'g'
\U]Y' g'W'Y'k [i]X'Y']b'X'Y'bh'g'UbX' Y'b[]b'Y'Y'X']b'Y'f'U'
g'W'Y'k h'f'Y'U'X' [f]d]b['Z'U]h' f'Y' "6@C L'a i gh'U'W'W'dh' #, "
UbX' %&' h'f'Y'U'X'Y'X' f'c'X'g'f'c'8!\$' 'Ei' g'b[]g'X'Y']b'f'm'bi' h'
g'c'h'g'f'c' U'c'k' Z'U]h'c'd' g'X'Y' U'g]Y' V'm'UbX' d]d]b[\Y]]h'
U'X' f'ga' Y'bh'g' 5'ia']a']a' f'c'Y'fg'f'c'@ \$) c'f'FC'@ \$' *E'g'U'
VY']b'g'U'Y'X'cb'cb['d]d]b[fi'bg'G'W' f]b['V'f'U'W'Y'g'
f'G'7'6' \$+E'UbX' UX \Y g] Y' f'58<1%&'f'Y'W'ca a Y'b'Y'X' Z'f'
d'Yfa Ub'Y'bh'm'g'W' f]b['6@C L']b'c']g'Z'bU']b'g'U'Y'X'
d'c]g'h'cb'z'Ub'W'c'f]b['U' [U]b]g'h']b'X'z'f]b' UbX' g'c'k' c'UX'g'

Roof Top®
BLOX
Adjustable Piping Support
US PAT. 7,731,131 CAN. PAT. 2,675,158

FH!.\$%k #7 cbWfYH' '5bW\cf'K Y][\h

A UI @UX DYf'6'cl.
Gb['Y' Dc]b'h' &)\$' V' #%% _]
8i U' Dc]b'c'f'G'ri HA ci bh'Y'X' @UX.)\$' V' #9) , _]

D. f] *\$E' -+!\$' () k k k "f'cc'Z'cd'V'cl' W'ca
: . f] *\$E' , +% -& %]b'Z'4' f'cc'Z'cd'V'cl' W'ca