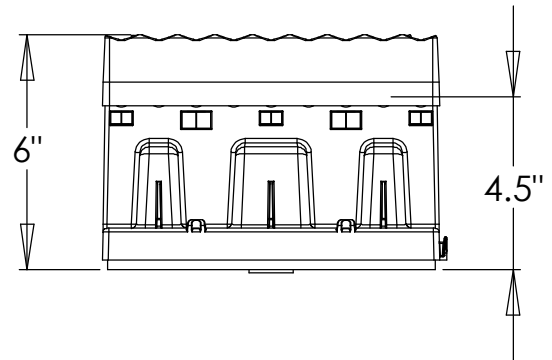
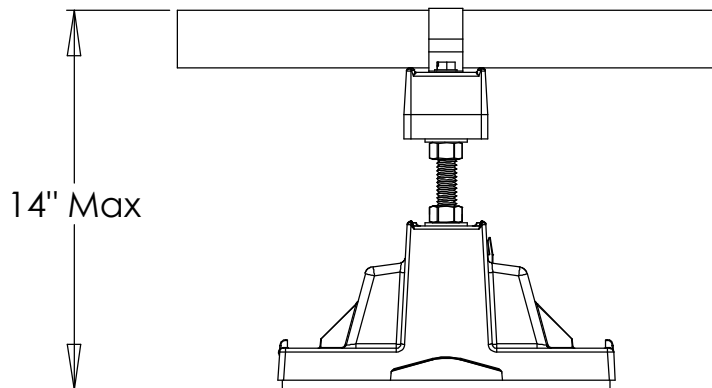
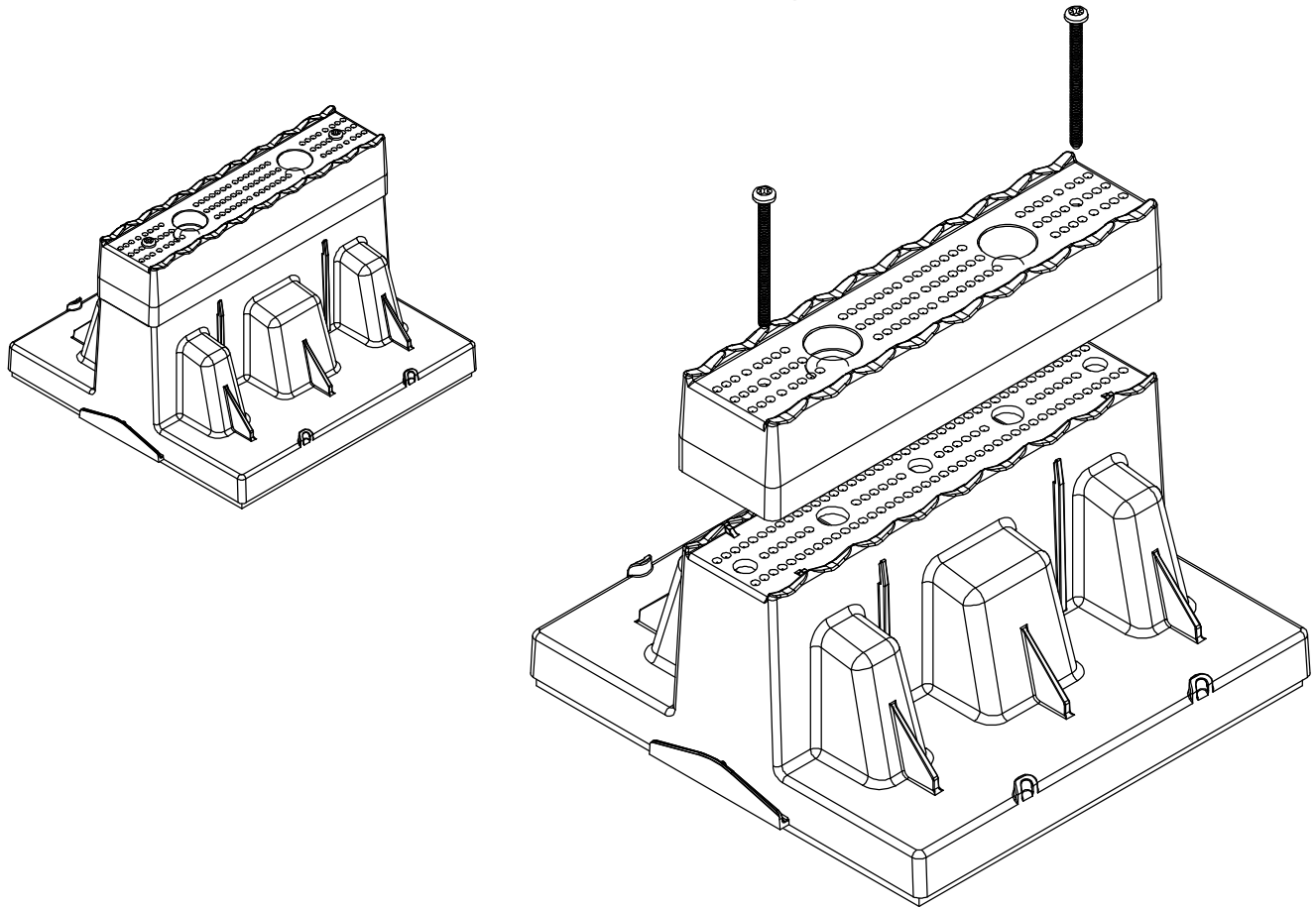


# XTB-02 Height Extension Instruction Guide

## 1 1/2" Polypropylene Height Extender



**Note:**

- Maximum weight on Blox mounted XTB-02 is 250lbs/100kg
- Maximum weight on elevated XTB-02 is 100lbs/40kg
- Maximum height when extended on rods 14" overall.

**Roof Top™**  
**BLOX**  
Adjustable Piping Support

Blox with Height Extension

Max Load Per Blox with XTB-02:  
Mounted directly on Blox: 250 lb/113 kg  
Elevated on threaded rods: 100 lb/45 kg

P: (860) 979-0345  
F: (860) 872-0300

www.rooftopblox.com  
info@rooftopblox.com