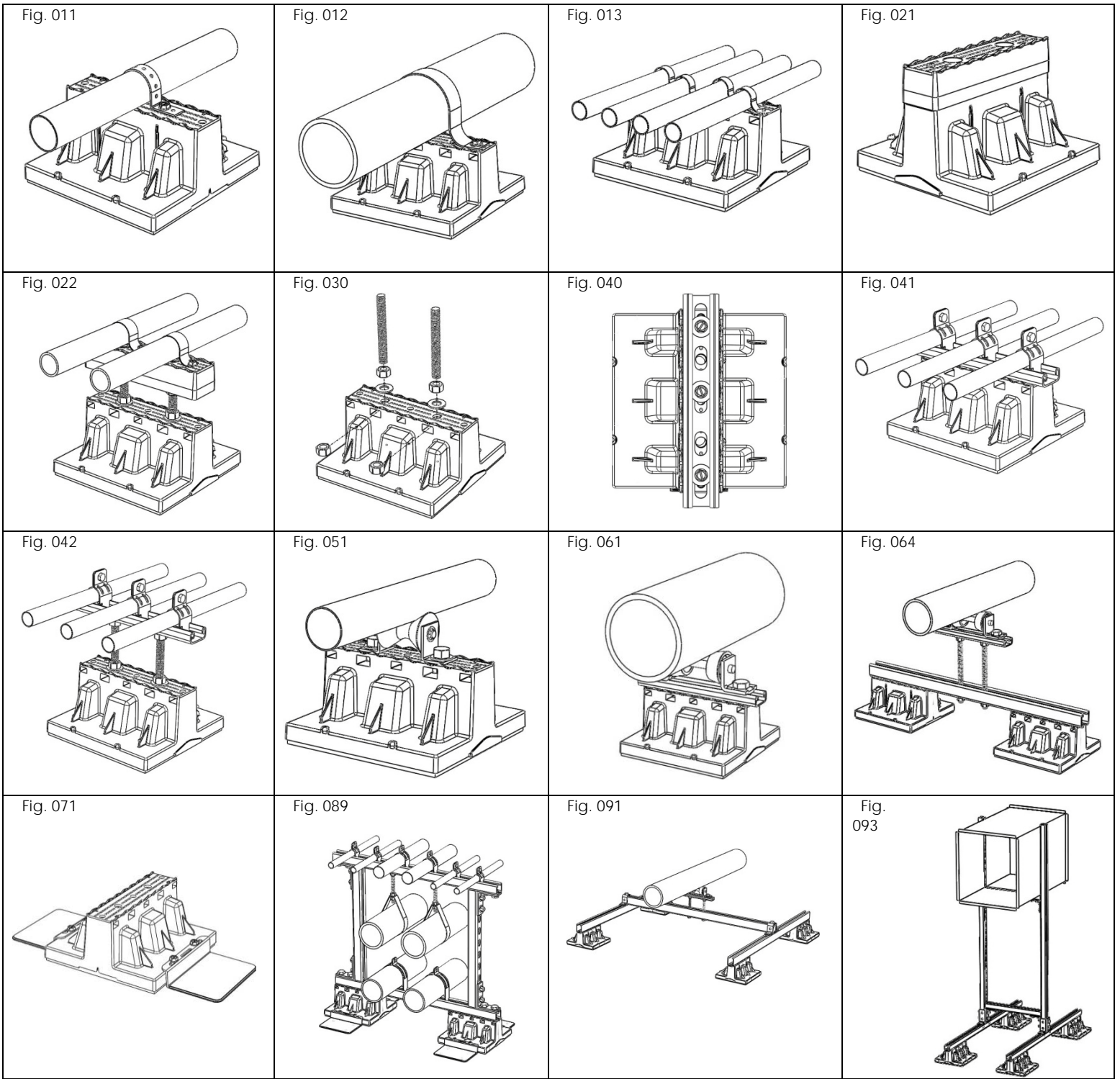


IMPORTANT INSTALLATION INSTRUCTIONS, PLEASE READ COMPLETELY

1. Space RTB-01 Roof Top Blox® every 7' along piping on flat or low pitch roof tops.
2. Remove all loose aggregate from under Blox base on gravel covered roof tops.
3. Always install loads at the lowest elevation possible and centralize load on Blox for best stability.
4. For loads under 250lbs/113kg per Blox the piping may be mounted directly on Blox top. Use the pipe saddles to organize pipe always keeping the load centralized. For short piping runs use supplied perforated strap to mount pipe up to 2" diameter with #12 sheet metal screws driven into indents on Blox top. Conventional pipe clips or U-clamps are also optional. (Fig.011,012,013)
5. The RTB-01 is 4.5" high, if 6" block height is a requirement use accessory XTB-02 plastic height extender or 1.5" slotted steel strut. The XTB-02 may be mounted directly to Blox with screws provided. XTB-02 will lift piping an additional 1.5" (Max. 250lbs/113kg) or install the XTB-02 elevated on threaded rods (Max. 100lbs/45kg). For pipes larger than 3" always use strut to elevate piping (Fig.021,022)
6. To install threaded rods, insert nut into Blox nut slot, add jamb nut and washer onto rods and thread rods into Blox. Be sure rods extend into Blox by 1" or more. Your finish height adjustments can be made at the Blox nut connection or upper rod fastening points. **Use only medium torque on Blox top jamb nuts or roller mounting bolts.(15 ft. lbs torque maximum) Apply Loctite® on threads.(Fig. 030)**
7. RTB-01 is rated for 450lb/204kg maximum static loads. STR-04 strut must be applied after 250lbs
8. For loads over 250lbs/113kg per Blox always install STR-04 slotted strut on Blox top beneath loads. Mount slotted strut directly on Blox with three #12 sheet metal screws and washers. Drive screws into indents on Blox top. Strut may also be elevated using ROD-03 threaded rods.(Fig.040,041,042)
9. For long piping runs install ROL-05 or ROL-06 rollers or oversized U-clamps to allow for piping expansion and contraction due to rooftop temperature swings.(Fig.051,061)
10. **Equipment elevated on a single Blox should never exceed 14" in overall height.** On heavy, wide or elevated piping runs, or tall mounted equipment always use good mechanical practice and common sense to stabilize the assembly. Be sure the system is not top heavy or unstable in any direction. To stabilize elevated loads construct 2 Blox or 4 Blox bridge assemblies using strut to spread out and stabilize base footing. Adjust each Blox so loads are carried equally. (Fig. 064, 089, 091, 093)
11. Once system is complete and all components are installed, permanently secure each Blox in place by applying the optional accessory SCB-07 Securing Brackets with ADH-12 Adhesive. Be sure to clean the area where the adhesive is applied. Use PRI-13 TPO primer on TPO membranes. Check with the roof membrane manufacturer to be sure that RTB-01, TPO Primer and M-1 Structural Adhesive are compatible with roofing system. The SCB-07 bracket is designed to secure the RTB-01 and mounted loads to roof surface, anchoring the BLOX from movement due to moderate wind, rain and snow loads. The SCB-07 is not engineered to comply with seismic requirements and is not considered a seismic constraint.(Fig.071, 089)

WARNING: Roof Top Blox products must be installed completely in accordance with this instruction document. Roof Top Blox must never be used for a purpose other than the purpose for which they were designed or in an application that exceeds the specified load ratings. All load ratings are for static conditions and do not account for dynamic or seismic loads. Improper installation, misuse, misapplication or failure to completely follow these instructions may cause product malfunction, property damage, serious bodily injury and death. Installer is responsible for conformance to all local code compliance, qualified engineering for system application, good mechanical practice and safety, roof membrane compatibility, and integrity of the structure which the products are attached and the loads associated with both during and after installation.



WARRANTY: Roof Top Blox warrants its products to be free from manufacturer defect for a period of 5 years. Should any such defects be discovered, the questionable product must be returned to Roof Top Blox. If upon inspection the part proves to be defective, Roof Top Blox will furnish a replacement. This warranty is limited to the replacement of defective product only. Warranty is void if products are misused, installed incorrectly or used in a manner that exceeds its load bearing ratings or height capacities. Warranty does not cover labor, shipping or any other costs associated with improper installation, Defective Products, Structure or Property Damage. Nor does this warranty cover acts of God, acts of government, storms, floods or fires.

THE FOREGOING IS IN LIEU OF ANY OTHER WARRANTIES, EXPRESSED, IMPLIED OR STATUTORY, INCLUDING, WITHOUT LIMITATION, THE IMPLIED WARRANTY OF MERCHANTABILITY, AND ROOF TOP BLOX NEITHER ASSUMES NOR AUTHORIZES ANY PERSON TO ASSUME FOR ROOF TOP BLOX ANY OTHER OBLIGATION OR LIABILITY IN CONNECTION WITH THE SALE OF ITS PRODUCTS.