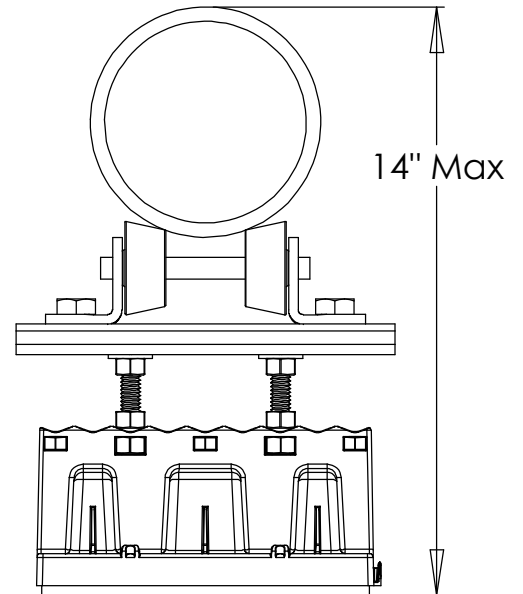
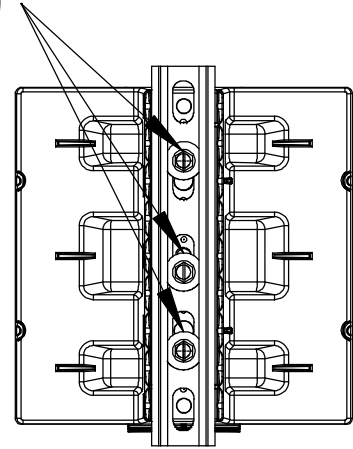
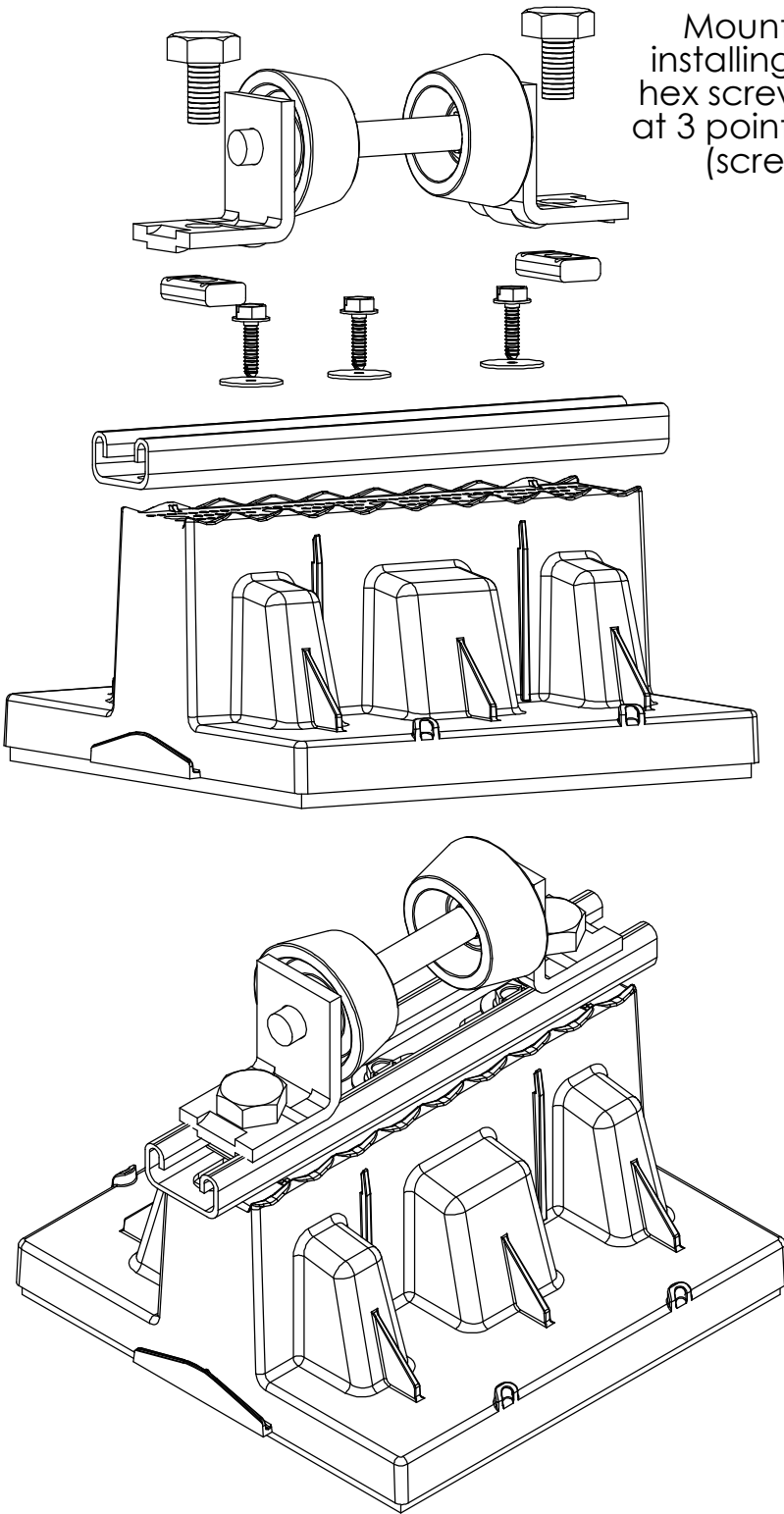


# ROL-06 Roller Installation Guide

## Aluminum Roller for 4"-6" Pipe

Mount strut properly by installing 3 self tapping #14 hex screws with 1/4" washers at 3 points designated below (screws and washers provided)



### Note:

- Do not overtighten or strip out #14 screws
- Be sure to properly tighten 1/2" Hex Bolts on roller brackets
- Use 15 ft/lbs max torque on jamb nuts on BLOX top surface, use Loctite on threads.
- Maximum height on single Blox is 14" overall.

**Roof Top™**  
**BLOX**

**Adjustable Piping Support**

Blox with Pipe Roller Assy.

Max Load Per Blox:  
Single Point: 250 lb/113 kg  
Dual Point or Strut-Mounted Load: 450 lb/200 kg

P: (860) 979-0345      www.rooftopblox.com  
F: (860) 872-0300      info@rooftopblox.com